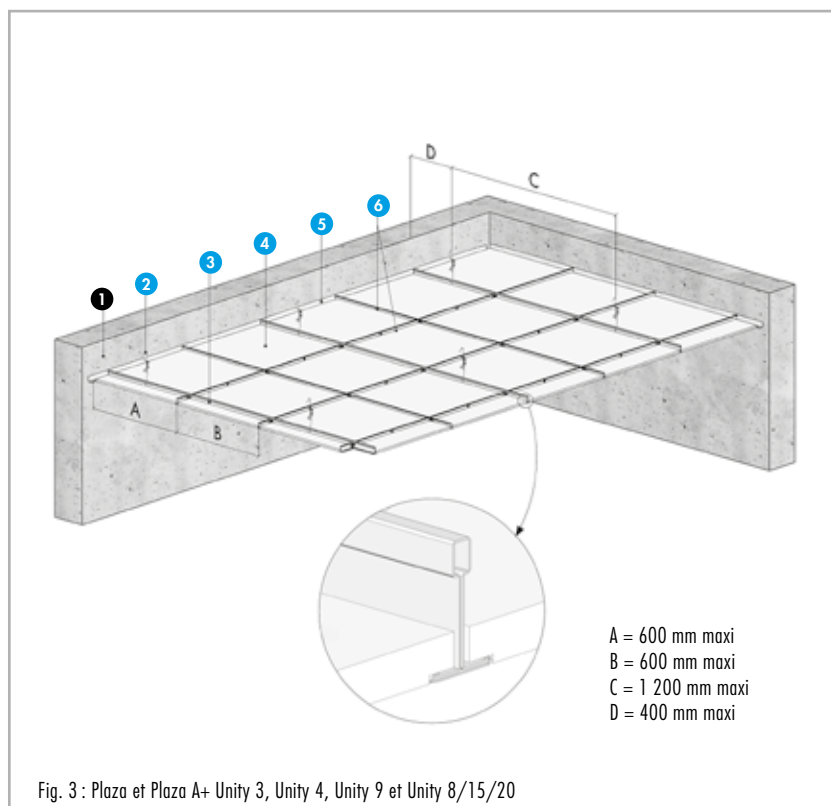


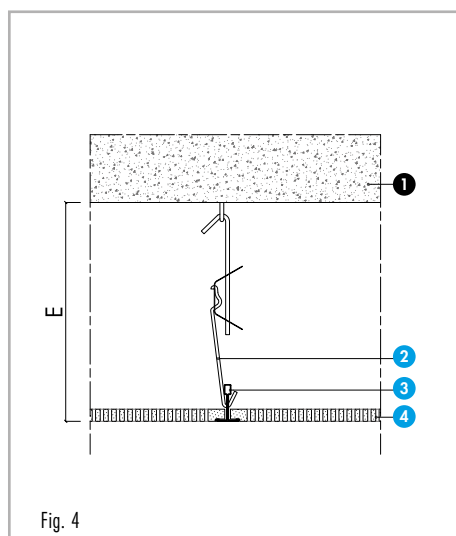
## Bord Plaza A et A+

## Bord Plaza A et A+ Unity



## Nomenclature de la figure 3

1. Mur support béton
2. Suspente ressort
3. Ossature T24
4. Plaza A+ Unity 8/15/20
5. Cornière de rive
6. Entretoise



## Nomenclature de la figure 4

1. Support dalle béton
  2. Suspente ressort
  3. Ossature T24
  4. Plaza A+ Unity 3
- E = 120 mm minimum